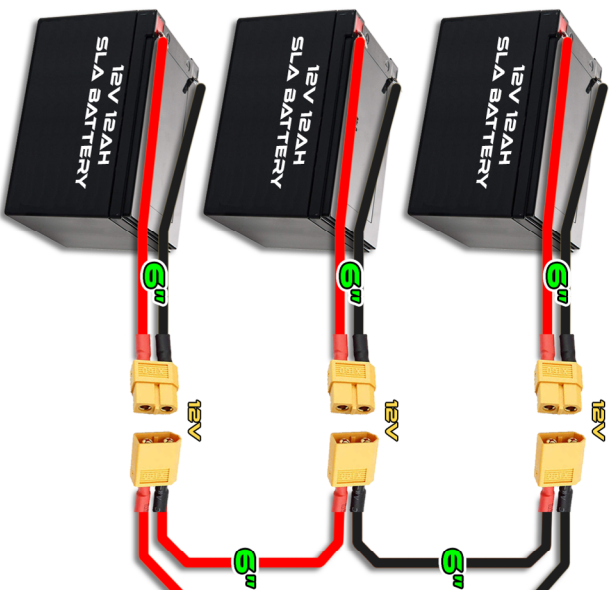


# ELECTRONICS

## WIRING FOR 2X SPYKER KAT + 2X SNOW BLOWER

- COLOR CODE
- # = NEW WIRES
  - # = CUT EXISTING WIRES
  - # = SERVO WIRE

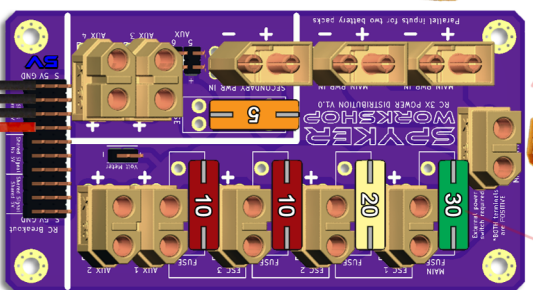


VOLTAGE METER

\*TAPE THERMISTOR TO MOTOR OR ESC

\*CONNECT TO 36V

\*THE KAT CAN ALSO BE RUN ON 12V OR 24V



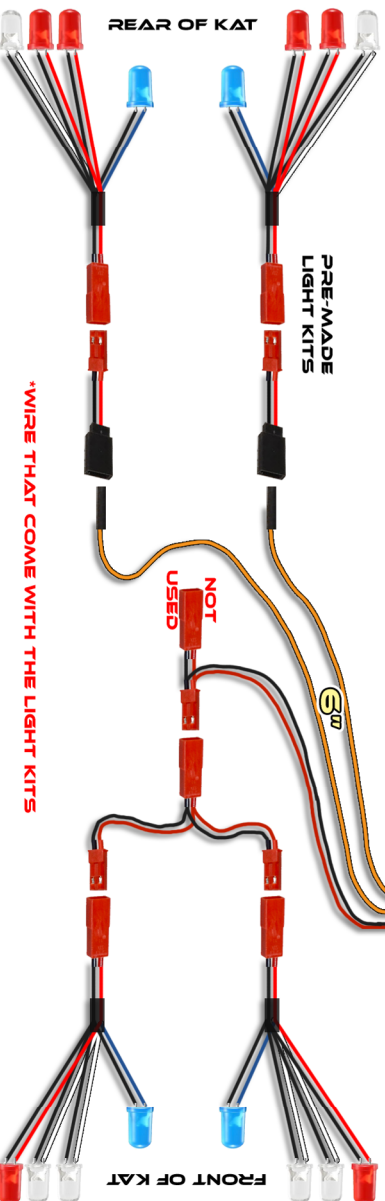
MAIN POWER SWITCH

USE ONLY 36V RATED FUSES

**REMOVE THE RED WIRE FROM ALL OTHER ESCS ONLY ONE ESC SHOULD SUPPLY POWER TO THE RECEIVER! (USE POLOLU BEC)**



9X RECEIVER



REAR OF KAT

PRE-MADE LIGHT KITS

NOT USED

FRONT OF KAT

\*WIRE THAT COME WITH THE LIGHT KITS

